

## DAILY END OF SERVICE

- Remove the filter basket from the portafilter and fit the blind filter.
- Lock the portafilter into the group head and press the espresso key on the keypad after 10 seconds press the espresso key again to stop the group, repeat this operation 6 times and empty the portafilter between operations.

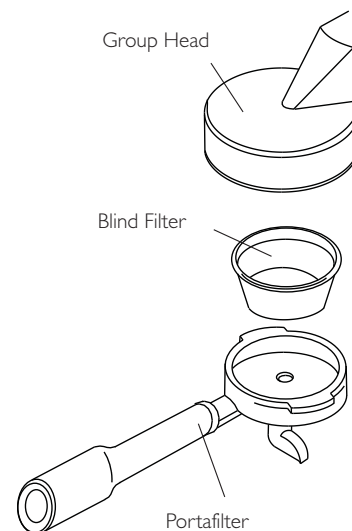
## DAILY BEFORE SERVICE

- With the blind filter in the portafilter add half a teaspoon of detergent into the blind filter.
- Secure the portafilter into the group head and activate the pump for 20 seconds.
- Stop the pump and repeat 3 times with a 5 second gap.
- Remove the portafilter and run water through the group for 10 seconds rinsing the group handle in the process.
- Replace the portafilter and operate the pump for 10 seconds, repeat this step 3 times, empty handle between operations.
- Clean around the group head gasket with a small brush and hot water.
- Replace the filter in the portafilter; make one coffee and discard, the group is now ready for use.



### **WARNING**

During the cleaning process NEVER try to remove the portafilter from the group head, pressurized hot water could cause injury. Once the cleaning program has completed wait for a few seconds before removing the portafilter.

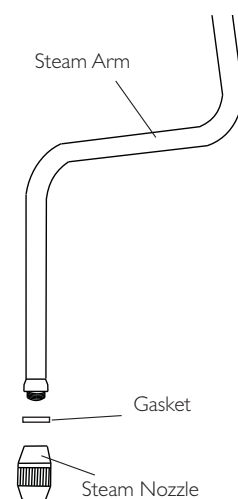


## WEEKLY OVERNIGHT

- Strip down portafilter components and soak overnight in tub of hot water with 2 teaspoons of cleaning powder. In the morning rinse with plenty of hot water.
- With a teaspoon of cleaning powder in a jug of hot water, pour down the machine waste pipe (located under the drip tray) this will help keep the drain hose clear.

## STEAM ARM CARE

- During the course of the day after using any product on the steam arm wipe down with a clean soft damp cloth (do not use a scouring type pad).
- After use blast a bit of steam through to clear the arm.
- DO NOT leave the steam arm standing in any sort of liquid.
- End of day remove the steam nozzle from the end of the arm and soak the nozzle in a cup of hot water overnight.
- If the nozzle gets blocked clear the steam holes out with a paper clip.



## CLEANING ROUTINE

- It is always best if one member of staff is trusted with the care of the machine.
- Only use Espressocare recommended cleaning products, links to authorised suppliers can be found at [www.espressocare.co.uk](http://www.espressocare.co.uk)